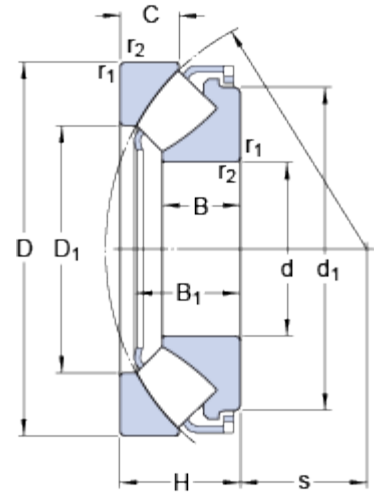


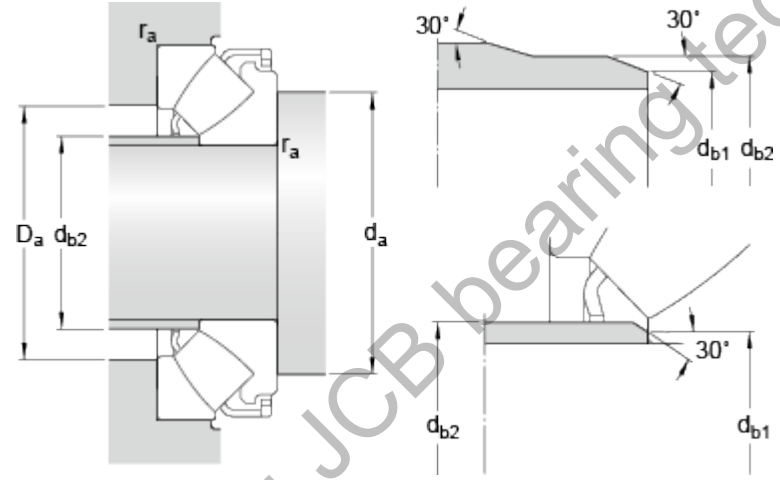
29460 E

Dimensions



d	300	mm
D	540	mm
H	145	mm
d ₁	≈ 485	mm
D ₁	≈ 392	mm
B	95	mm
B ₁	130.3	mm
C	70.5	mm
s	175	mm
r _{1,2}	min. 6	mm

Abutment dimensions



d _a	min. 415	mm
d _{b1}	max. 319	mm
d _{b2}	max. 340	mm
D _a	max. 465	mm
r _a	max. 5	mm

Calculation data

Basic dynamic load rating	C	5000	kN
Basic static load rating	C ₀	16600	kN
Fatigue load limit	P _u	1340	kN
Reference speed		670	r/min
Limiting speed		1200	r/min
Minimum axial load factor	A	24	

Mass

Mass bearing		140	kg
--------------	--	-----	----